



Brass S-Spring Snap

HISANAGA

Yotsukaido Industrial Park 598
 Monoi, Yotsukaido-shi Chiba 284-0012 JAPAN
 Tel +81(43)422 2112 · Fax +81(43)423 7147
 overseas.crown@hisanaga-ss.co.jp

MG No.3 Series


Try our new style socket and stud. Simple and elegant feature for all the garments.

[Usage] Especially great for purses, goods and accessories.

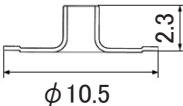
for LEATHER Special treatment for leather attachment available.

TOP PARTS

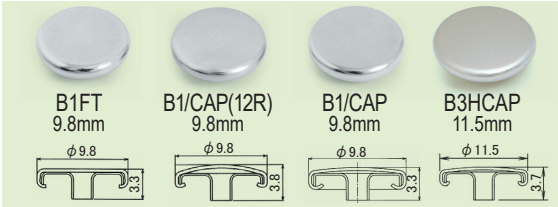
TOP



B3 / RIA




2.3
 $\phi 10.5$



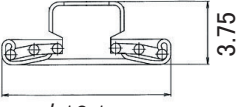
B1FT 9.8mm
 B1/CAP(12R) 9.8mm
 B1/CAP 9.8mm
 B3HCAP 11.5mm

FABRIC

SOCKET



B3MG



3.75
 $\phi 10.1$


High Crown No.3 is also available.

Closing snap action	1.5 ~ 4.0kg
Opening snap action	0.6 ~ 1.6kg

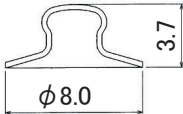
Closing snap action	1.5 ~ 4.0kg
Opening snap action	1.0 ~ 2.0kg

UNDER PARTS (3PARTS)

STUD




B3MGC

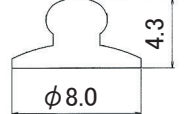


3.7
 $\phi 8.0$

TURNERY STUD



B3TC




4.3
 $\phi 8.0$

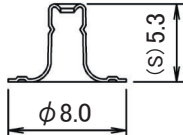
FABRIC

FABRIC


POST



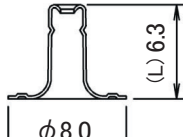
B1D (S)



(S) 5.3
 $\phi 8.0$




B1D (L)

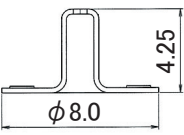


(L) 6.3
 $\phi 8.0$

POST



B3TD



4.25
 $\phi 8.0$

Closing and opening action may be stronger by plating type.